

TS 4000
TS 4000 S

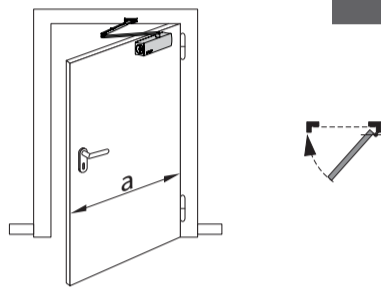
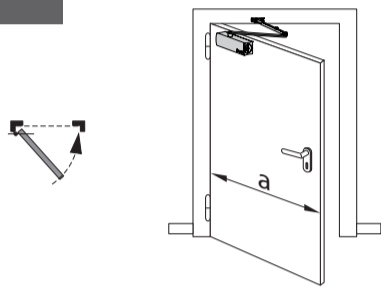


107754-03



A

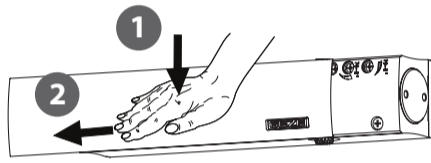
B



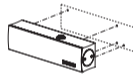
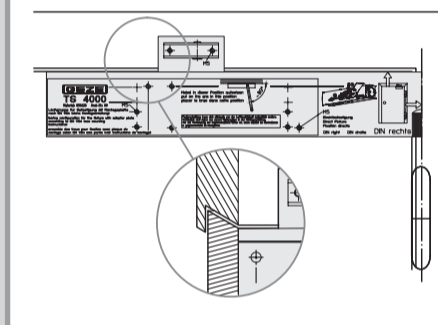
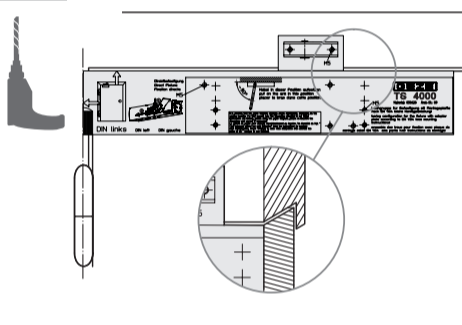
TS 4000/4000 S $a \leq 1400$ mm
TS 4000 EN 5-7 $a \leq 1600$ mm

TS 4000/4000 S $a \leq 1400$ mm
TS 4000 EN 5-7 $a \leq 1600$ mm

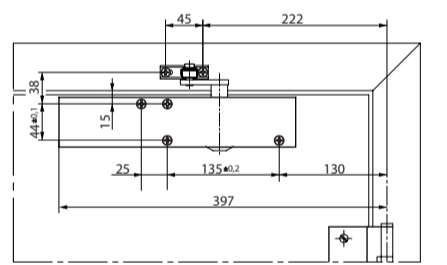
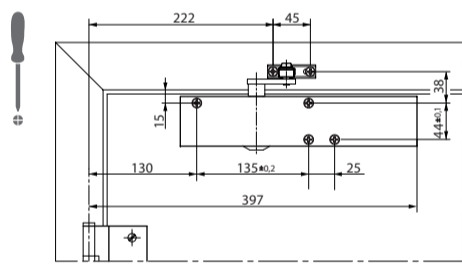
1



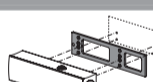
2



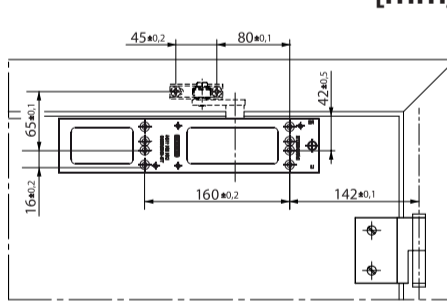
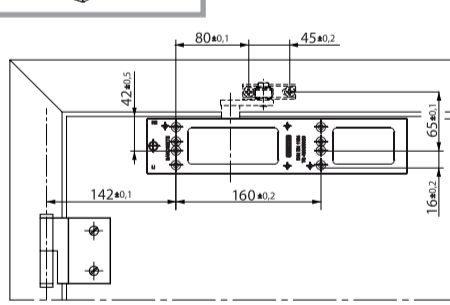
[mm]



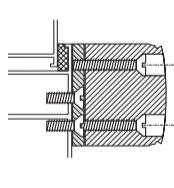
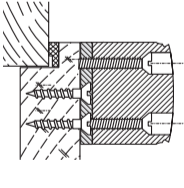
4x
5x60
4x
M5x55



[mm]

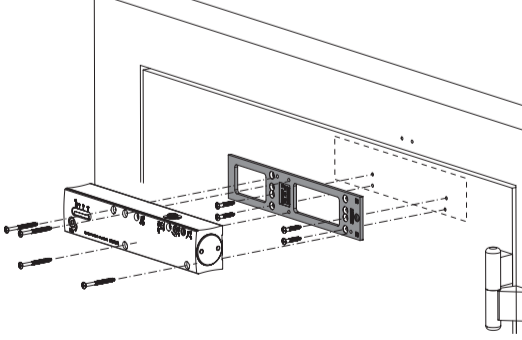
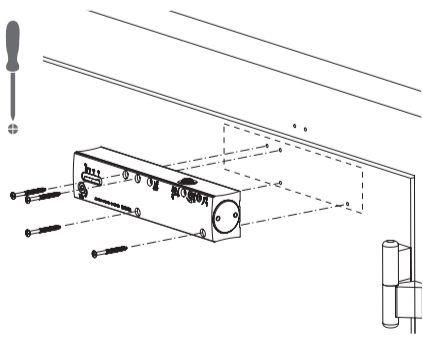


4x
5x35
4x
M5x20

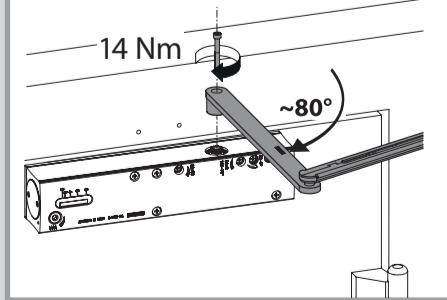
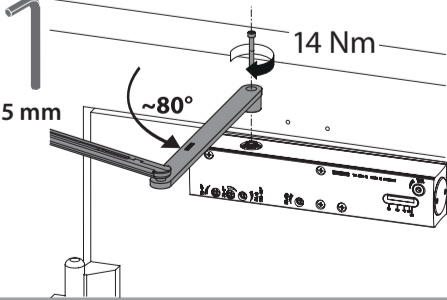


3x
M5x45

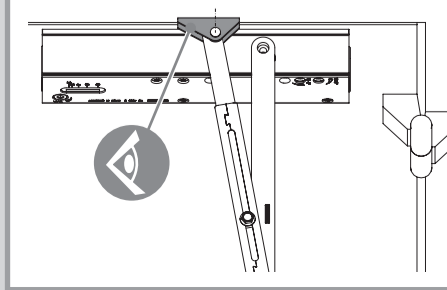
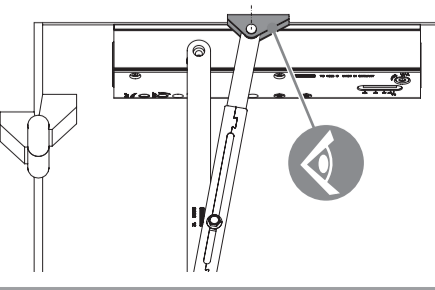
3



4



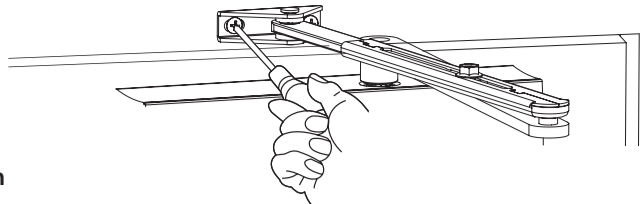
5



6



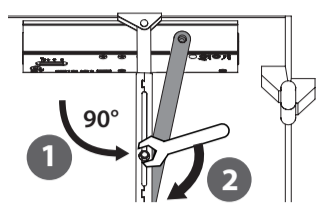
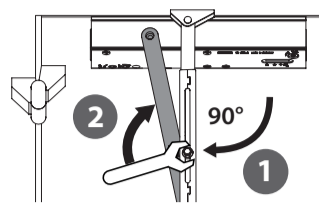
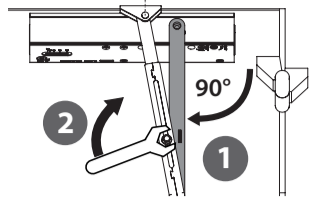
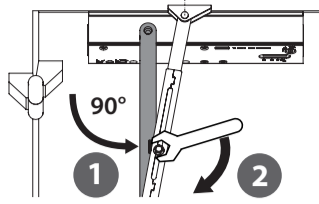
10 mm



2x 5x20
2x M5x16

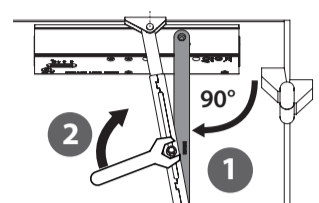
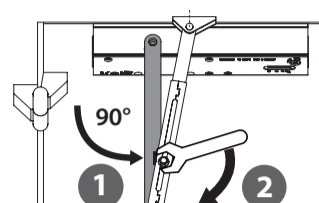
i+

TS 4000



i+

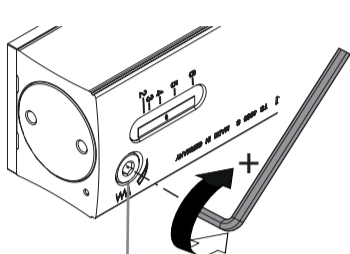
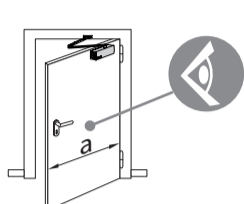
TS 4000 S



7

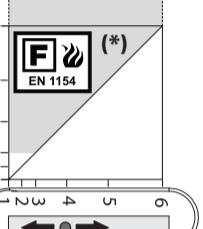


5 mm

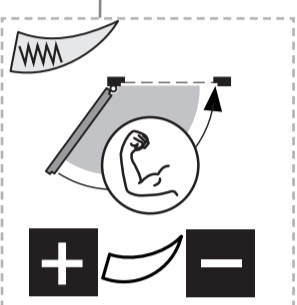


a (mm) - EN

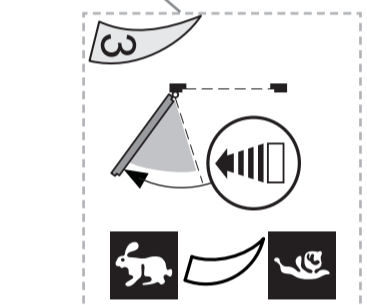
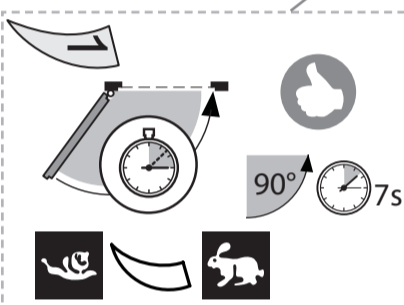
| | |
|------|-----|
| 1600 | - 7 |
| 1400 | - 6 |
| 1250 | - 5 |
| 1150 | - 4 |
| 950 | - 3 |
| 850 | - 2 |
| 750 | - 1 |



(*) = + ≥ EN 3

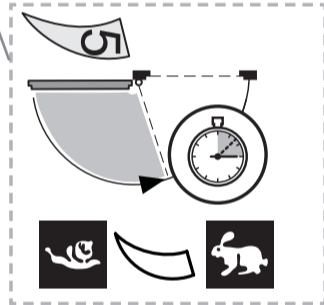
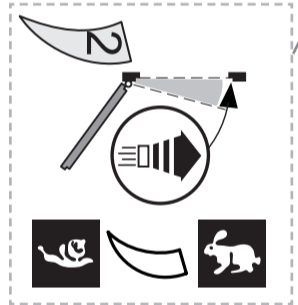
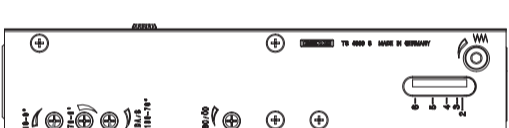


8

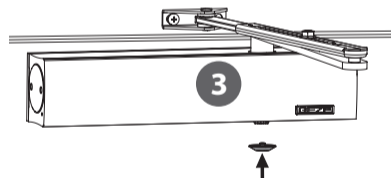
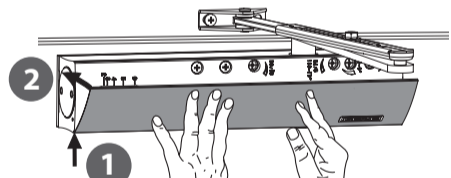


i+

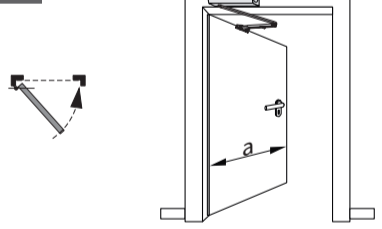
TS 4000 S



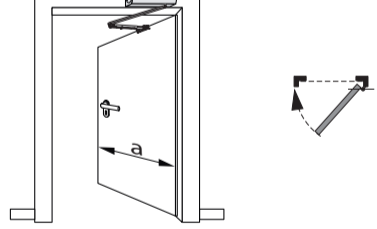
9



i



TS 4000/4000 S a ≤ 1400 mm
TS 4000 EN 5-7 a ≤ 1600 mm



TS 4000/4000 S a ≤ 1400 mm
TS 4000 EN 5-7 a ≤ 1600 mm

