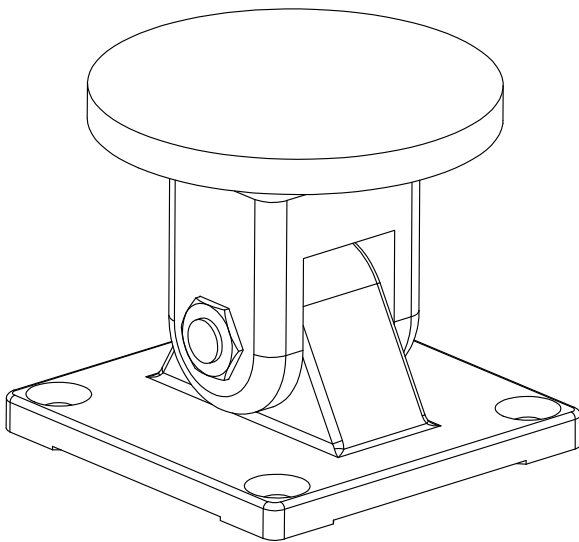


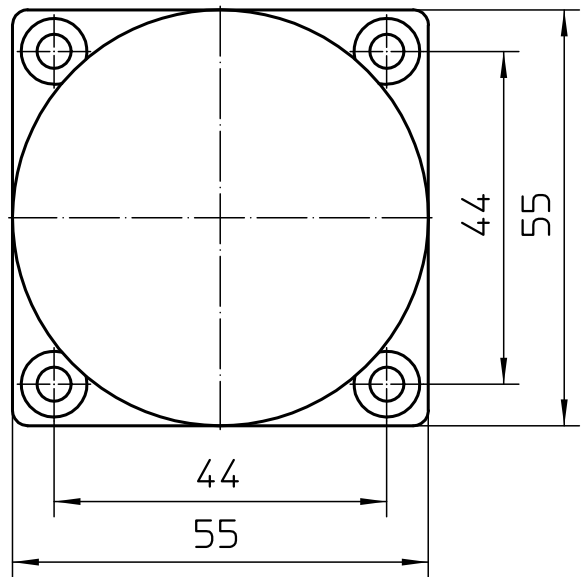
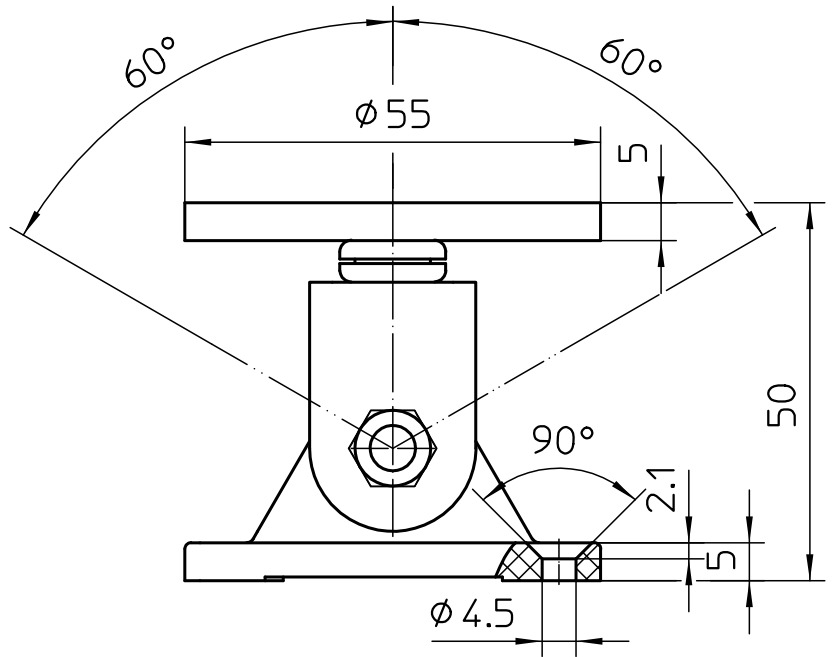
This drawing shows the actual state of product development at the date of the drawing or the revision date. No claims or damages in any form can be made against GEZE as a result of the drawing or the revision date. The drawing is the property of GEZE and is made available to third parties only for the duration of contractual obligations. All rights connected with this drawing remain in possession of GEZE. This drawing may not be copied or handed over to third parties without the express consent of GEZE.

EMPB = Erstmusterprüfbericht / First sample test report

M 1:1



Schwenkbereich ca 2x60°



GEZE Mat.-Nr.	115956
enthalten in/included in	155570
	155571
	155572

GEZE GmbH P.O. Box 13 63 71226 Leonberg Germany					Benennung / designation	
vertraulich / confidential					HAFTGEGENPLATTE SCHWENKBAR COUNTER PLATE PIVOTABLE	
	Datum / date	Name / name	Blatt / von sheet / of	Material-Nr. ID-no.		
	03.12.13	tbt7	1 / 1			
	erstellt / drawn		Maßstab scale			
	gepr. / checked		1:1			
	Ersatz für: subst. for:		Sprache / language	Zeichnungs-Nr. / document-no.		
			D			
	Ersetzt durch: subst. with:		21202-0-5			
EMPB	Dok.version doc.version	Datum date	Name name	Mitteilungs-Nr. Doc. change no.		
	00	03.12.13	tbt7	*		